

# Litebox Flushmount

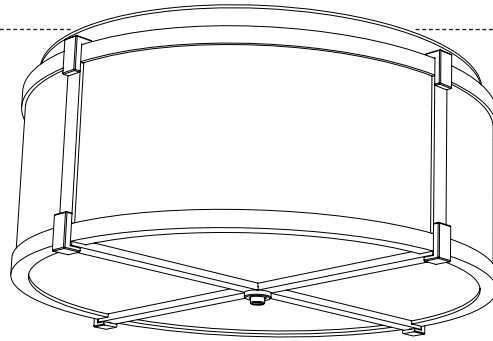
## INSTRUCTIONS

### LAMPING

Risk of fire and electrical shock. Installation requires knowledge of electrical systems and should be installed by a qualified electrician. If not qualified, DO NOT ATTEMPT INSTALLATION.

To avoid the risk of fire or overheating, do not exceed the recommended wattage.

SHUT OFF ELECTRICAL SUPPLY AT THE CIRCUIT BREAKER



### CARE INSTRUCTIONS

Wipe with a soft cloth only. Always avoid using harsh chemicals and/or cleaners.

**INSTALLATION**

fig. A/B Remove the fixture from the packaging and detach the *twist and lock* canopy from the body by twisting counter-clockwise. Remove the lamping housing by removing the [2] thumb screws next to the sockets. (keep thumb screws)

fig. C Place the mounting plate against the junction box while allowing wires to pass through the central opening. Fasten mounting plate/bar to junction box with the mounting screws (2) provided.

### WIRE CONNECTION

Attach the junction box GROUND WIRE to the bare copper GROUND WIRE from the fixture. Fasten with a plastic wire nut. If there is not a ground wire from the junction box, wrap the bare copper ground wire from the fixture around the green screw on the mounting bracket.

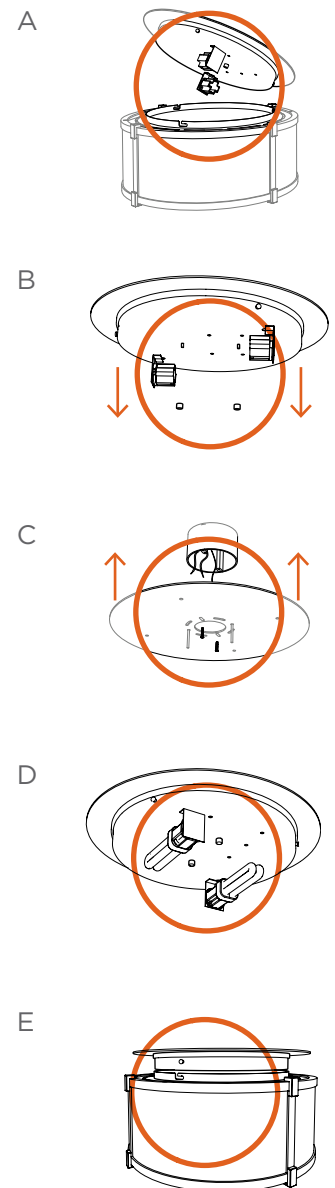
Connect the fixture's WHITE [neutral] wire to the NEUTRAL WIRE from the junction box.

Connect the fixture's BLACK [hot] wire to the HOT WIRE from the junction box.

fig. D Tuck the wired connections into the junction box and position the fixture's *twist and lock* canopy correctly over the mounting plate. Secure the fixture to the mounting plate with the thumb screws that were previously removed. Insert the lamps [not included]

fig. E Align the body of the fixture with the canopy and twist until it locks into place. Do not overtighten.

Restore power to the junction box.



# Litebox Flushmount

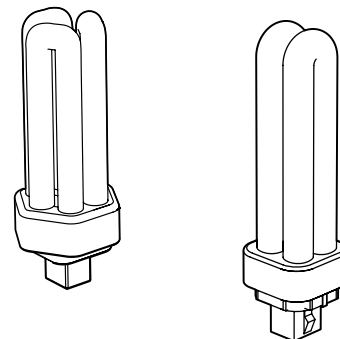
## INSTRUCTIONS

### LAMPING

This light fixture uses a replaceable CFL [compact fluorescent lamp] as a lighting source.

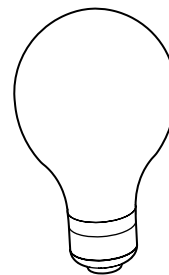
EPA recommends that consumers take advantage of available local recycling options for CFL light bulbs. Ayre recommends contacting your local municipal waste agency for more information, or visit [www.earth911.org](http://www.earth911.org) to identify local recycling efforts.

*"Most makers of light bulbs have reduced mercury in their fluorescent lighting products. Thanks to technology advances and commitment from members of the National Electrical Manufacturers Association, the average mercury content in CFLs has dropped at least 20 percent or more in the past several years. Some manufacturers have even made further reductions, dropping mercury content to 1 mg per light bulb." - energystar.gov*



This fixture requires a 18W 4-pin, 2700K or 3000K CFL **Quad or Triple Tube** to fit the fixtures Gx24q-2 socket.

OR



This fixture requires a 100W Max Incandescent lamp to fit its Incandescent Medium Base socket.