

Studio

INSTRUCTIONS

WARNING:

Risk of fire and electrical shock. Installation requires knowledge of electrical systems and should be installed by a qualified electrician. If not qualified, DO NOT ATTEMPT INSTALLATION.

To avoid the risk of fire or overheating, do not exceed the recommended wattage.

SHUT OFF ELECTRICAL SUPPLY AT THE CIRCUIT BREAKER

Care Instructions:

Wipe with a soft cloth only. Always avoid using harsh chemicals and/or cleaners.

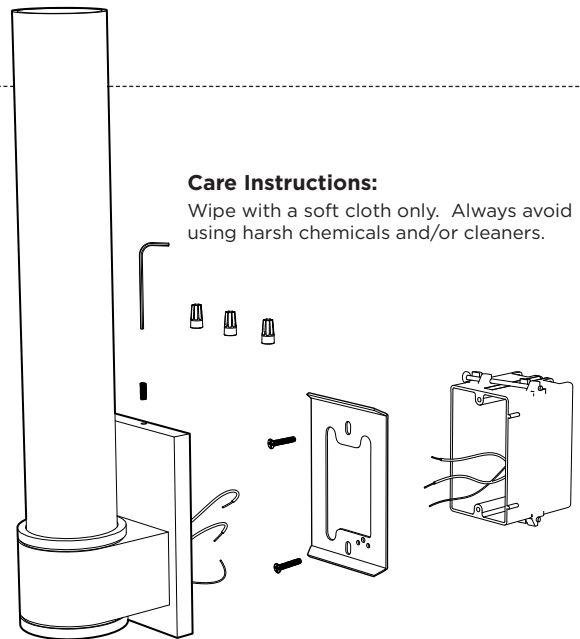


fig. A

INSTALLATION

Place the mounting bracket against the junction box while allowing wires to pass through the central opening. Fasten mounting plate/bar to junction box with the mounting screws (2) provided.

A

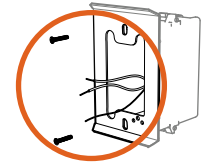


fig. B

WIRE CONNECTION

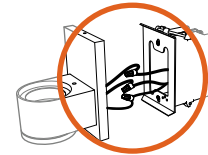
Attach the junction box GROUND WIRE to the bare copper GROUND WIRE from the fixture. Fasten with a plastic wire nut. If there is not a ground wire from the junction box, wrap the bare copper ground wire from the fixture around the green screw on the mounting bracket.

Connect the fixture's (2) WHITE [neutral] wires to the NEUTRAL WIRE from the junction box. Connect the fixture's BLACK [hot] wire to the HOT WIRE from the wall switch.

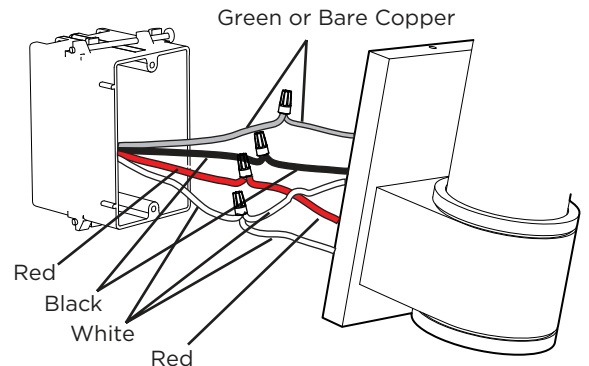
The fixture's RED [hot] wire must be wired directly to constant power. (constant power source)

Tuck the wired connections into the junction box and position the fixture's backplate correctly over the mounting plate/bar. Wires must be neatly positioned for the fixture to sit properly on the mounting plate.

B



	Outlet	Fixture
Ground	Green or Bare Copper	Bare Copper
Neutral	White	White
Hot from switch	Black	Black
* Hot	Red	Red



*THIS FIXTURE REQUIRES [2] POWER SOURCES. [1] FROM THE SWITCH FOR THE MAIN LIGHT AND [1] CONSTANT POWER SOURCE TO OPERATE THE LED NIGHT LITE.

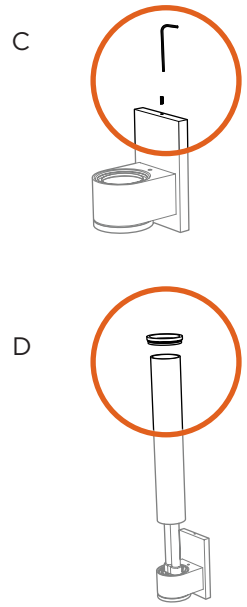
INSTALLATION [cont.]

fig. C Secure the fixture to the mounting plate with the provided Allen wrench by tightening the set screw.

fig. D Insert the lamp [not included]

Slide the diffuser ring down the glass diffuser. Place the diffuser in the socket cup and screw the diffuser ring into place making sure the rubber ring creates a secure fit.

Restore power to the junction box.

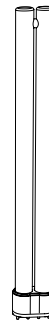


LAMPING

This light fixture uses a replaceable CFL [compact fluorescent lamp] as a lighting source.

EPA recommends that consumers take advantage of available local recycling options for CFL light bulbs. Ayre recommends contacting your local municipal waste agency for more information, or visit www.earth911.org to identify local recycling efforts.

"Most makers of light bulbs have reduced mercury in their fluorescent lighting products. Thanks to technology advances and commitment from members of the National Electrical Manufacturers Association, the average mercury content in CFLs has dropped at least 20 percent or more in the past several years. Some manufacturers have even made further reductions, dropping mercury content to 1 mg per light bulb." - energystar.gov



This fixture requires an 24W, 4-pin, 3000K CFL [FT24W/2G11/830] to fit the fixtures 2G11 socket.



Requires [1] 60W T10 lamp to fit the fixtures medium based incandescent socket.

ELECTRICAL ROUGH-IN

A standard single rectangular junction box is required for installation.

For bathroom applications, Ayre recommends installing a light fixture on each side of the cabinet/mirror.

When marking the rough-in for the junction box(es), the center of each fixture should be at least 5" away from each edge of the cabinet/mirror, making the total distance between the light fixtures a minimum of 20-30" from center to center.

The height for the center of the junction boxes should be about 54.50" from the floor when installed in the UP orientation.

