

Porter Pendant

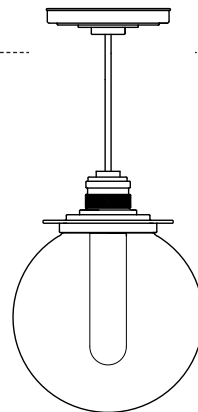
INSTRUCTIONS

LAMPING

Risk of fire and electrical shock. Installation requires knowledge of electrical systems and should be installed by a qualified electrician. If not qualified, DO NOT ATTEMPT INSTALLATION.

To avoid the risk of fire or overheating, do not exceed the recommended wattage.

SHUT OFF ELECTRICAL SUPPLY AT THE CIRCUIT BREAKER



CARE INSTRUCTIONS

Wipe with a soft cloth only. Always avoid using harsh chemicals and/or cleaners.

fig. A

Place the *Mounting Plate* against the junction box while allowing wires to pass through the central opening. Fasten *Mounting Plate* to junction box with the mounting screws (2) provided.

fig. B

Determine the overall drop length and adjust the *Cord* to the correct height. Use the *Screw* on the *Strain Relief* to tighten the *Cord* to the *Canopy*.

fig. C

Once the *Cord* length is set, connect the wires from the cord to the BLUE and RED wires from the LED Driver.

WIRE CONNECTION:

Connect the *Cord's* WHITE [neutral] wire to the BLUE wire from the LED Driver.

Connect the *Cord's* BLACK [hot] wire to the RED wire from the LED Driver.

Next, connect the *LED Driver* wires to the junction box wires.

WIRE CONNECTION (see chart on page 2)

Attach the junction box GROUND WIRE to the bare copper GROUND WIRE from the fixture. Fasten with a plastic wire nut.

If there is not a ground wire from the junction box, wrap the bare copper ground wire from the fixture around the green screw on the mounting bracket.

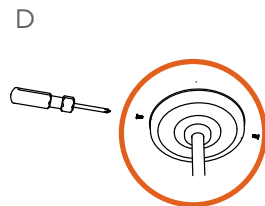
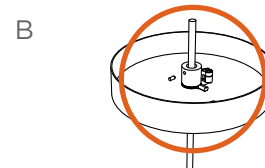
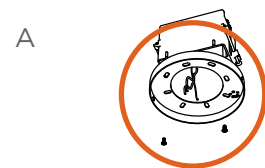
Connect the LED Driver WHITE [neutral] wire to the NEUTRAL WIRE from the junction box.

Connect the LED Driver BLACK [hot] wire to the HOT WIRE from the junction box.

fig. D

Tuck the wired connections and *LED Driver* into the junction box and position the fixture's *Canopy* correctly over the *Mounting Plate*. Wires must be neatly positioned for the fixture to sit properly on the mounting plate. Secure the *Canopy* to the mounting plate with the provided screws by tightening with a screwdriver.

[CONT.]



Porter Pendant

INSTRUCTIONS [CONT.]

INSTALLATION

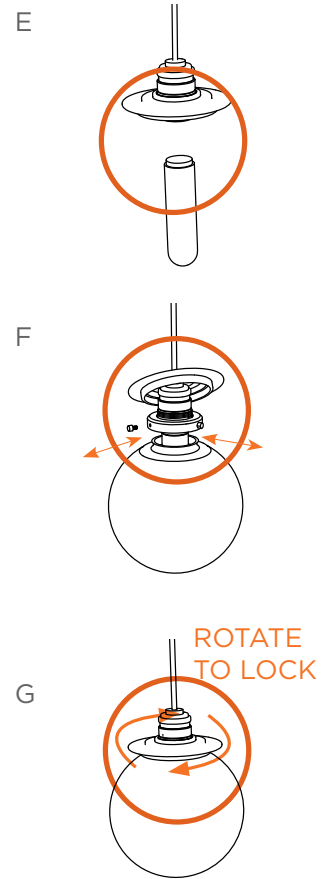
fig. E Thread the *Acrylic Optic* onto the *LED Socket Assembly* as you would a light bulb by turning counter-clockwise until the optic is secure

fig. F Loosen the *Locking Collar* and gently rest it on the *fixture*. Remove the (3) *Diffuser Screws*. Place the diffuser on the base of the socket cup and fit it into place. Fasten the *Diffuser* to the *Socket Cup* with the (3) *Diffuser Screws*.

fig. G Place the *Locking Collar* over the top of the *Glass Diffuser* and thread until tight.

Installation is complete

Restore power to the junction box.



LED LIGHT SOURCE

This fixture uses an integrated LED light source designed by AYRE specifically for this fixture. Please contact AYRE for further information if needed. This fixture will work with standard ELV or TRIAC LED dimming systems. Below is a short list of compatible Lutron wall dimmers although other brands of dimmers will also work.

RECOMMENDED LED DIMMER SWITCHES

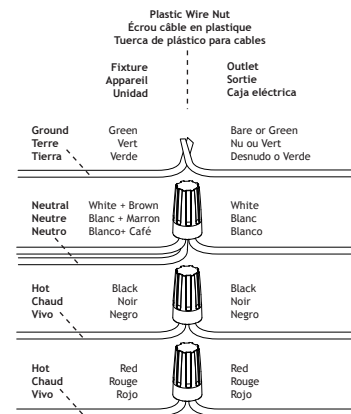
You will need an LED dimmer switch to correctly control the LED modules in the fixture. DO NOT use an incandescent dimmer switch with this fixture.

USE ONLY Electronic Low Voltage dimmers (ELV) or TRIAC dimmers.

Refer to your dimmer switch instruction manual for specifics in wiring and connecting to a light source

AYRE has tested the following dimmers:

Brand	Series
Lutron	Diva
Lutron	Maestro
Lutron	Maestro IR
Lutron	Skylark
Lutron	Nova
Lutron	Nova T
Lutron	Vareo
Lutron	Grafik T



Always consult with a certified electrician to understand the best setup for your space

If you are not qualified, do not attempt installation.

Always consult with a certified electrician.