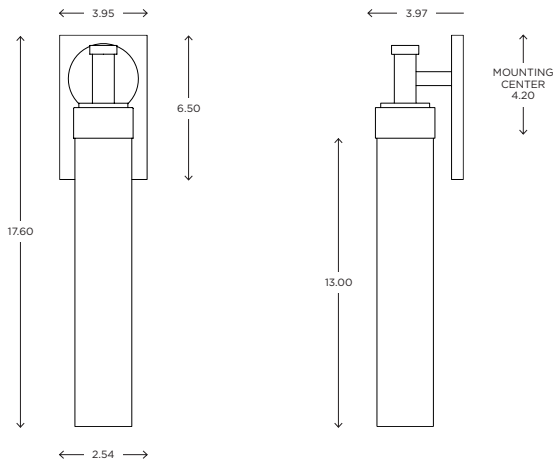


Circ

ADA | CUSTOM OPTIONS



The Circ is a powerfully proportioned sconce. Slightly oversized, it makes a clear design statement about the refinement of form. It is an exceptionally well executed sconce.

DIMENSIONS

17.60"H x 3.95"W x 3.97"P

LAMPING / VOLTAGE

- [1] 60W Max Incandescent T10 Medium Base
635 Lumens, 2700K, 120V, dimming
- [1] 24W Fluorescent CFL 2G11 Base
1800 Lumens, 3000K, 120V, non-dimming

FINISH

Brushed Nickel, Polished Nickel, Polished Chrome

DIFFUSER

Shiny Opal Glass

Customize this fixture to your specific needs



Finish shown: Polished Chrome



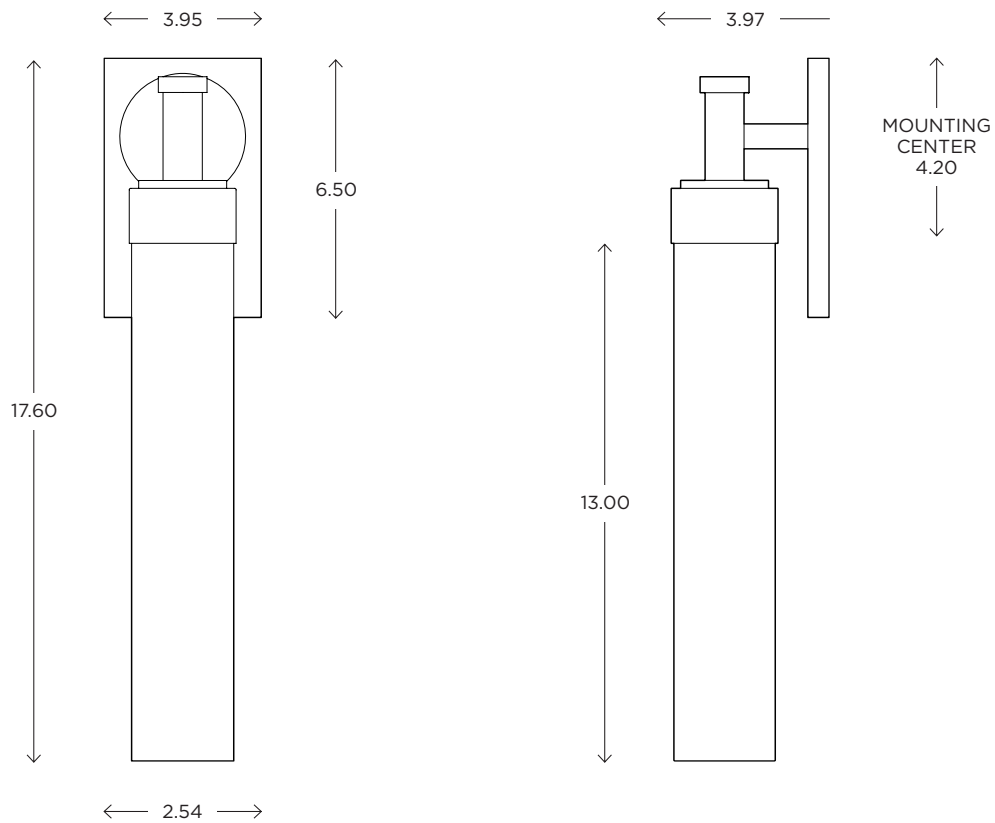
Ayre Architectural Lighting
14 Bristol Drive, Unit B
South Easton, MA 02375

Tel 508.205.0545
Toll Free 877.722.AYRE
Fax 508.205.0548

ayrelight.com

Circ

ADA CUSTOM OPTIONS



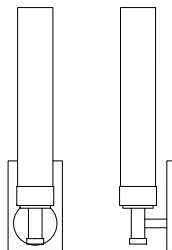
Refer to the instructions for correct j-box placement and installation requirements.

Fixture can be mounted facing UP or DOWN

Est. Weight: 5.28 lbs

MODEL

CIRC SCONCE // CIR1



DIMENSIONS

Height: 17.60
Width: 3.95
Projection: 3.97

FIXTURE TYPE

ADA Sconce / A

DIFFUSER

Shiny Opal Glass / SO

FINISH

Brushed Nickel / BN
Polished Nickel / PN
Polished Chrome / CH

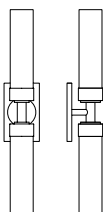
LAMPING / VOLTAGE

INCANDESCENT / INC
[1] 60W T10 Medium Base
120V, dimming

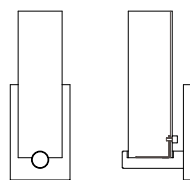
FLUORESCENT / FL
[1] FT 24W 2G11 Base, 120V
non-dimming

RELATED PRODUCTS

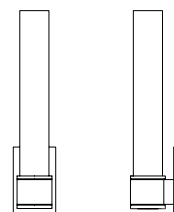
CIRC SCONCE // CIR2
ADA



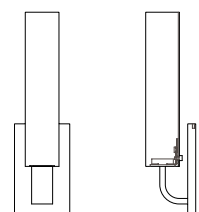
CLIK SCONCE // CLK1
ADA



STUDIO SCONCE // STU1
ADA



REFLEX SCONCE // REF1
ADA



Ayre Architectural Lighting
14 Bristol Drive, Unit B
South Easton, MA 02375

Tel 508.205.0545
Toll Free 877.722.AYRE
Fax 508.205.0548

ayrelight.com